

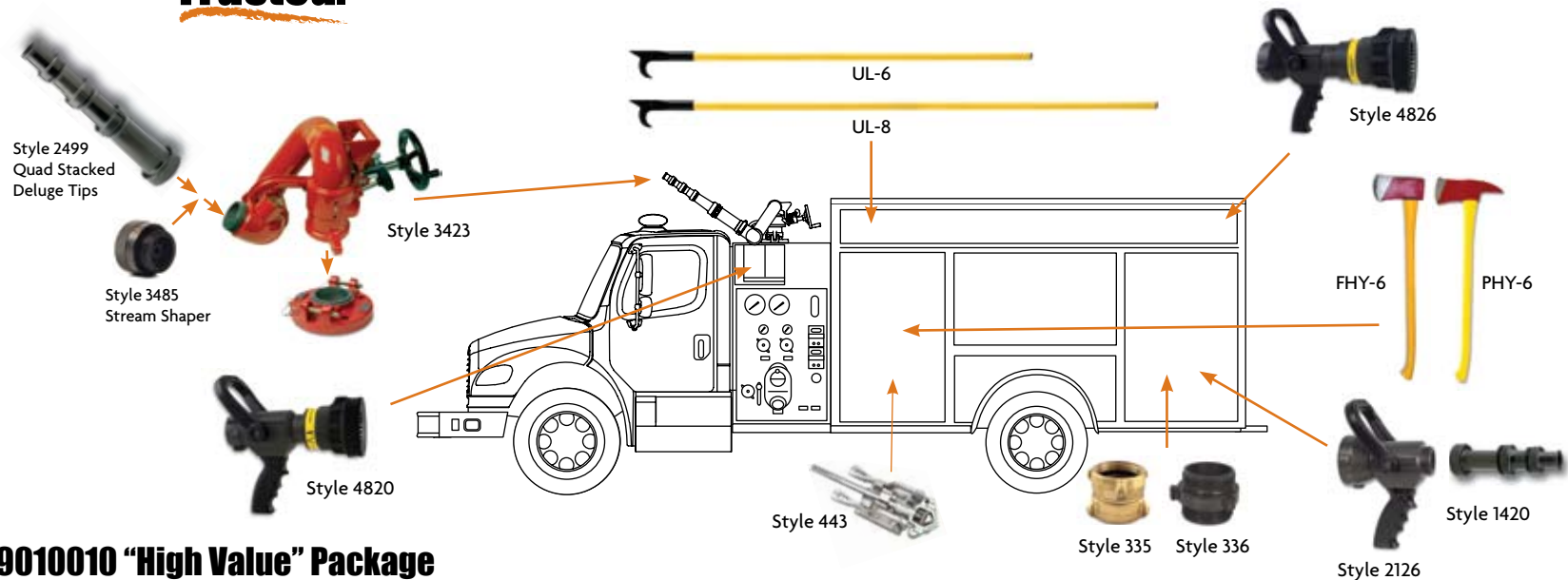


**Tested... Proven... Trusted.**

# “High Value” NFPA 1901 Pumper Equipment Package

**Win a Training Trip to FDIC 2010 for Two!\*\***

**FREE**  
Roof Hook  
With Every Package



## Order: 19010010 “High Value” Package

Quantity	Description
<b>Nozzles</b>	
2	1.5" Assault Nozzle with Pistol Grip (150GPM@100psi) (Includes kit to convert to 125 or 95 GPM @ 100 psi)
1	2.5" Assault Nozzle with Pistol Grip (350GPM@100psi) (Includes kit to convert to 250 or 200 GPM @ 100 psi)
1	2.5" Shutoff with Pistol Grip and Triple Stacked Tips (1", 1 1/8", 1 1/4")
<b>Monitor</b>	
1	Apollo Direct Mount Monitor with Pipe and Tips

Quantity	Description
<b>Tools</b>	
1	6# Flat Head Axe with 36" Fiberglass Handle with Brackets
1	6# Pick Head Axe with 36" Fiberglass Handle with Brackets
1	6' Pike Pole with standard hook
1	8' Pike Pole with standard hook
2	3 Wrench Holder with 1 Style 15 & 2 Style 10s
<b>Adapters</b>	
1	Double Female Swivel Adapter (2.5" x 2.5" Cast Brass)
1	Double Male Adapter (2.5" x 2.5" Pyrolite)

## “High Value” Package List \$6,420

Package add-ons*	List Price with Package
ECR-10-4500	Electric Cord Reel Light with Junction Box + 100' of Yellow 12/3 300 Volt Cord + 15 Amp Straight Plug \$854
7980	Black Max Piston Intake Valve \$1,740***
3423	(2) 2.5" Inlets Ground Base Only \$1,475
5160	Akromatic 1250 Nozzle \$1,159
E-4500-PS-SM	500W Beta Push-Up with Sidemount bracket \$590

Package pricing expires 12/31/09

\* No more than 2 of each add-ons at package pricing.  
 \*\* Each fire department can enter a chance to win (No purchase necessary to enter).  
 \*\*\* Additional charges for cap and chain, full time swivel storz inlet or 6" storz inlets (see price guide for additional charges).

No substitutions, no exceptions.  
 Akron Brass reserves the right to change, cancel or end this promotion at any time.

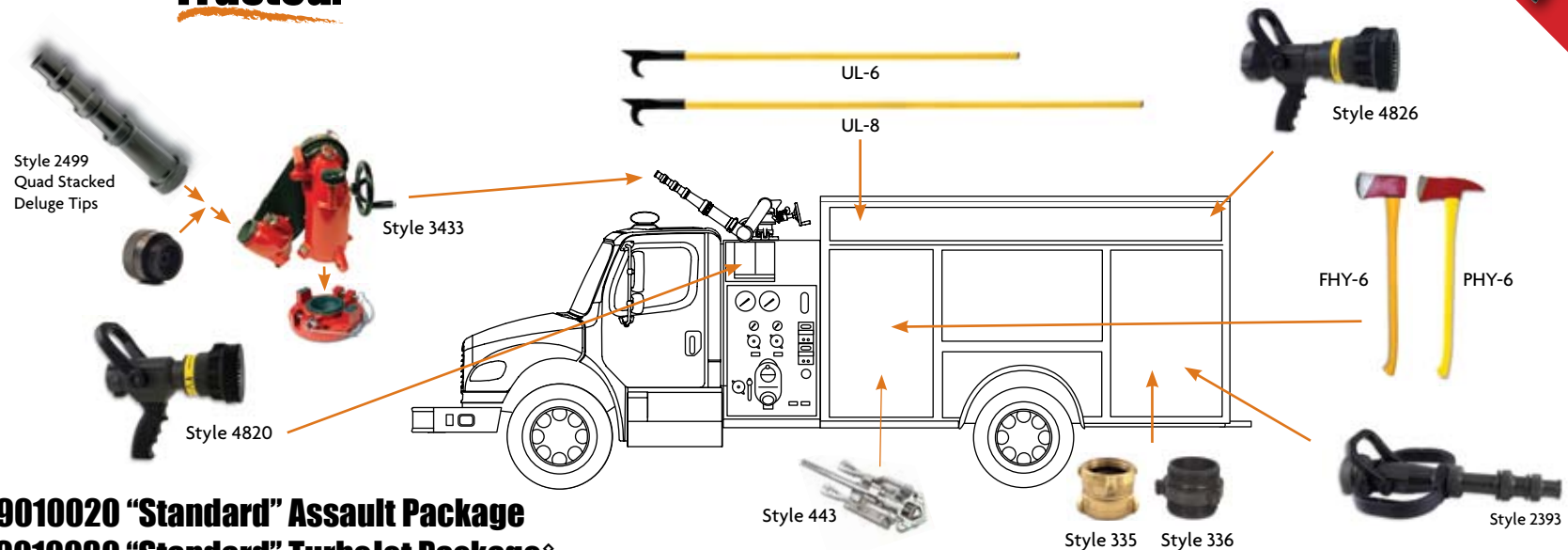


**Tested... Proven... Trusted.**

# “Standard” NFPA 1901 Pumper Equipment Package

**Win a Training Trip to FDIC 2010 for Two! \*\***

**FREE**  
Adapt-A-Pole Vent Kit  
With Every Package



**Order: 19010020 “Standard” Assault Package**  
**19010030 “Standard” TurboJet Package<sup>◊</sup>**

Quantity	Description
<b>Nozzles</b>	
2 <sup>◊</sup>	1.5" Assault Nozzle with Pistol Grip (150GPM@100psi) (Includes kit to convert to 125 or 95 GPM @ 100 psi)
1 <sup>◊</sup>	2.5" Assault Nozzle with Pistol Grip (350GPM@100psi) (Includes kit to convert to 250 or 200 GPM @ 100 psi)
1	Axial Playpipe with Tips (1", 1 1/8", 1 1/4")
<b>Monitor</b>	
1	Apollo Hi-Riser Direct Mount Monitor with Pipe and Tips

Quantity	Description
<b>Tools</b>	
1	6# Flat Head Axe with 36" Fiberglass Handle with Brackets
1	6# Pick Head Axe with 36" Fiberglass Handle with Brackets
1	6' Pike Pole with standard hook
1	8' Pike Pole with standard hook
2	3 Wrench Holder with 1 Style 15 & 2 Style 10s
<b>Adapters</b>	
1	Double Female Swivel Adapter (2.5" x 2.5" Cast Brass)
1	Double Male Adapter (2.5" x 2.5" Pyrolite)

**“Standard Assault” Package List \$8,500**  
**“Standard Turbojet” Package<sup>◊</sup> List \$8,900**

**Package add-ons\***

List Price with Package

Item	Description	List Price with Package
ECR-10-4500	Electric Cord Reel Light with Junction Box + 100' of Yellow 12/3 300 Volt Cord + 15 Amp Straight Plug	\$854
7980	Black Max Piston Intake Valve	\$1,740***
3423	(2) 2.5" Inlets Ground Base Only	\$1,475
5160	Akromatic 1250 Nozzle	\$1,159
1755	TurboMaster Nozzle	\$1,282
E-4500-PS-SM	500 W Beta Pushup light with brackets	\$590

Package pricing expires 12/31/09

◊ Turbojet package replaces the 4820s with 1720s and the 4826 with a 1733

\* No more than 2 of each add-ons at package pricing.

\*\* Each fire department can enter a chance to win (No purchase necessary to enter).

\*\*\* Additional charges for cap and chain, full time swivel storz inlet or 6" storz inlets (see price guide for additional charges).

No substitutions, no exceptions.

Akron Brass reserves the right to change, cancel or end this promotion at any time.

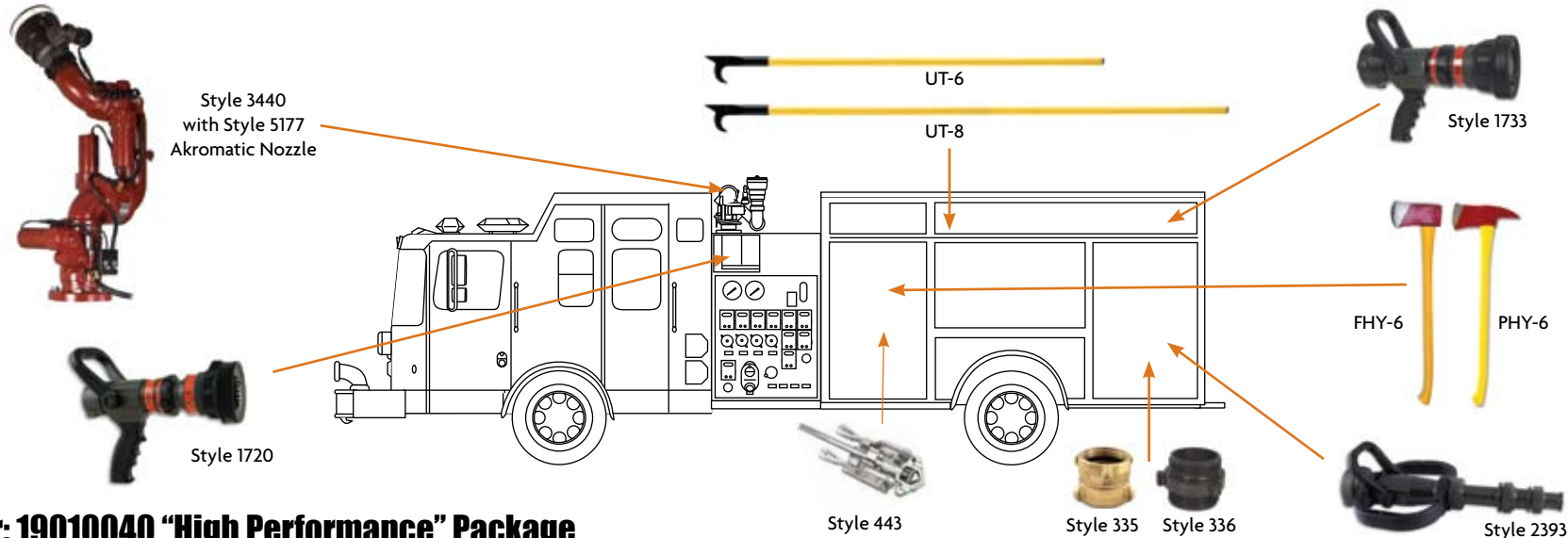


**Tested... Proven... Trusted.**

# “High Performance” NFPA 1901 Pumper Equipment Package

**Win a Training Trip to FDIC 2010 for Two!\*\***

**FREE**  
Wireless Remote Control  
With Every Package



## Order: 19010040 “High Performance” Package

Quantity	Description
<b>Nozzles</b>	
2	1.5" Turbojet Nozzle with Pistol Grip (30-125GPM@100psi)
1	2.5" Turbojet Nozzle with Pistol Grip (125-250GPM@100psi)
1	Axial Playpipe with Tips (1", 1 1/8", 1 1/4")
1	5177 Akromatic Nozzle
<b>Monitor</b>	
1	DeckMaster with Flush Mount Control Package & Free Wireless Remote Control

Quantity	Description
<b>Tools</b>	
1	6# Flat Head Axe with 36" Fiberglass Handle with Brackets
1	6# Pick Head Axe with 36" Fiberglass Handle with Brackets
1	6' Ultra-Tough Pike Pole with standard hook
1	8' Ultra-Tough Pike Pole with standard hook
2	3 Wrench Holder with 1 Style 15 & 2 Style 10s
<b>Adapters</b>	
1	Double Female Swivel Adapter (2.5" x 2.5" Cast Brass)
1	Double Male Adapter (2.5" x 2.5" Pyrolite)

**“High Performance” Package List \$16,250**

Package add-ons*		List Price with Package
ECR-10-4500	Electric Cord Reel Light with Junction Box + 100' of Yellow 12/3 300 Volt Cord + 15 Amp Straight Plug	\$854
7980	Black Max Piston Intake Valve	\$1,740***
E-4500-PS-SM	500W Beta Push-Up with Sidemount bracket	\$590

Package pricing expires 12/31/09

\* No more than 2 of each add-ons at package pricing.  
 \*\* Each fire department can enter a chance to win (No purchase necessary to enter).  
 \*\*\* Additional charges for cap and chain, full time swivel storz inlet or 6" storz inlets (see price guide for additional charges).

No substitutions, no exceptions.  
 Akron Brass reserves the right to change, cancel or end this promotion at any time.